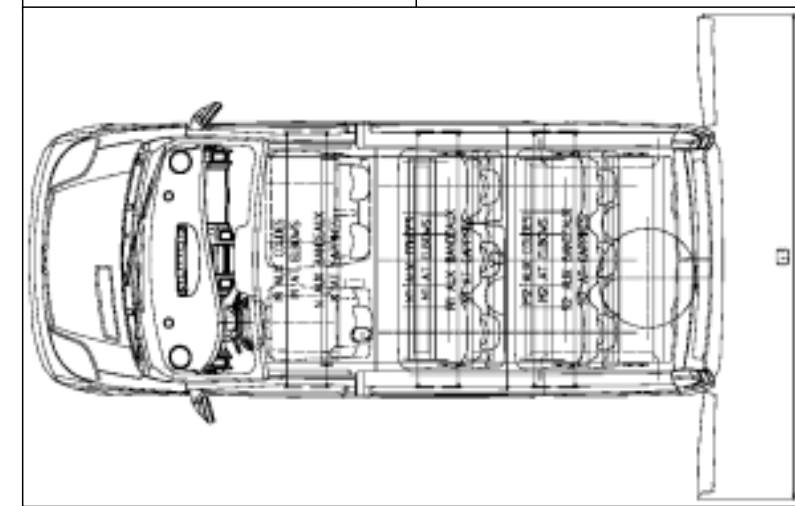
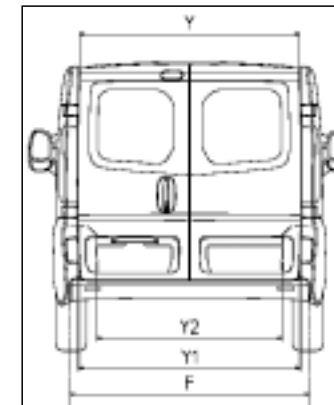
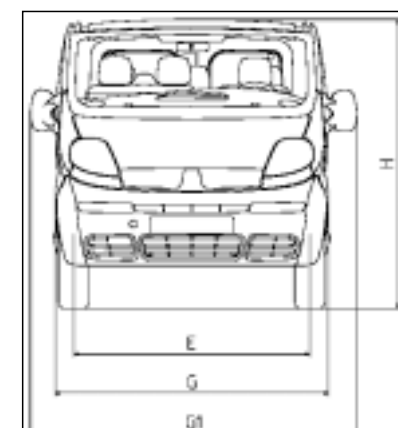
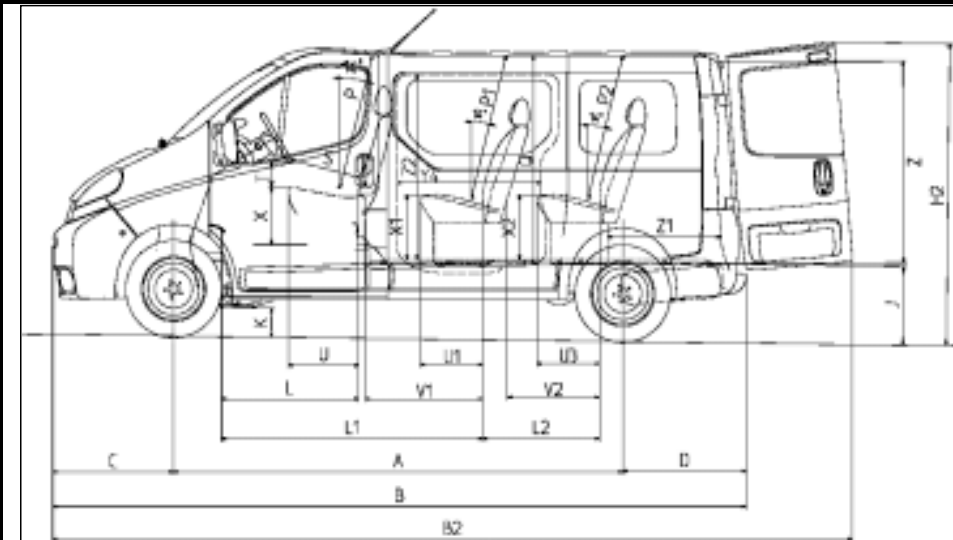


**Passenger Estate version range 9-per**

Passenger Estate 9-seats												
H1 / L1					H1 / L1			H1 / L2				
1000								1200				
0,94 / 770								1,55 / 1296				
Engine	F4R 820	F4R 820	M9R 780	M9R 780	G9U 630	F4R 820	M9R 780	G9U 630	F4R 820	F9Q 760	M9R 780	G9U 630
Remarks: A)without an additional battery and without rear air-conditioning B) with	A	B	A	B								

Dimensions (in mm)

A	Wheelbase	3098					3098			3498		
B	Vehicle overall length	4782					4782			5182		
B2	Vehicle overall length with back door opened	5503					5503			5903		
C	Front overhang	833					833			833		
D	Rear overhang	851					851			851		
E	Front wheel track	1615					1615			1615		
F	Rear wheel track	1630					1630			1630		
G	Vehicle overall width	1904					1904			1904		
G1	Vehicle overall width with mirrors	2232					2232			2232		
G3	Vehicle overall width with back door opened	3328					3328			3328		
H	Vehicle overall height (empty / loaded)	1942 / 1914	1950 / 1921	1945 / 1917	1953 / 1925	1959 / 1929	1952 / 1922	1955 / 1926	1958 / 1929	1952 / 1916	1954 / 1921	
H2	Loading threshold height (empty)	2013 / 1955	2021 / 1962	2013 / 1954	2020 / 1962	2027 / 1963	2021 / 1957	2020 / 1954	2027 / 1958	2018 / 1958		2027 / 1967
J	Side sill height (empty)	526	534	526	534	540	535		541	532		540
K	Clearance	174 / 152	182 / 160	167 / 150	178 / 161	183 / 167	182 / 160	180 / 165	183 / 168	185 / 158	187 / 161	177 / 155
L	Distance from accelerator pedal / to drivers' back rest	946					946			946		
L1	Distance from accelerator pedal / to 2.seat row back rests	1805					1805			1805		
L2	Distance from accelerator pedal / to 3.seat row back rests	2607					2607			2607		
M	Internal width at door armrests height	1549					1549			1757		
M1	Internal width at 2 seat row armrests	1606					1606			1606		
M2	Internal width at 3 seat row armrests	1628					1628			1635		
N	Internal width over door armrests	1757					1757			1757		
N1	Internal width over 2 seat row armrests	1834					1834			1834		
N2	Internal width over 3 seat row armrests	1837					1837			1837		
P	Height from the I row seat to the roof measured at 14° angle(in feet axis),drive seat and single passenger seat	924					924			924		
P	Height from the I row seat to the roof measured at 14° angle(in feet axis), double passenger seat-middle seat	932					932			932		
P	Height from the I row seat to the roof measured at 14° angle(in feet axis), double passenger seat	919					919			919		
P1	Height from the II row seat to the roof measured at 14° angle(in feet axis) -middle seat	966					966			966		
P1	Height from the II row seat to the roof measured at 14° angle(in feet axis) - peripheral seat	931					931			931		
P2	Height from the III row seat to the roof measured at 14° angle (in feet axis) – middle seat	962					962			962		
P2	Height from the III row seat to the roof measured at 14° angle (in feet axis) – peripheral seats	931					931			931		
Q	Interior height (Y0 )	1369					1369			1369		
S	Distance from steering wheel to drivers' back rest	501					501			501		
T	Distance from steering wheel to drivers' seat	175					175			175		
U	Drivers' seat depth	483					483			483		
U1	Seat depth in the II row	431					431			431		
U2	Seat depth in the III row	431					431			431		
V1	Without II seat row	810					810			810		
V2	Without II seat row	633					633			633		
Y	Back door width in upper part (70 mm from the edge)	1370					1370			1370		
Y1	Back door width in lower part (70 mm from the floor)	1390					1390			1390		
Y2	Interior width between body-fixing plates	1234					1234			1234		
Y3	Maximum interior width	1678					1678			1678		
Y4	Sliding side-door hole width	1000					1000			1000		
Z	Back door hole height (Y0 )	1306					1306			1306		
Z1	Loading space length (Y0 ) (measured by floor/ 1 m high from the floor / on upper seat back rest height )	744 / - / 449					744 / - / 449			1144 / - / 849		
Z2	Sliding side-door hole height	1285					1285			1285		

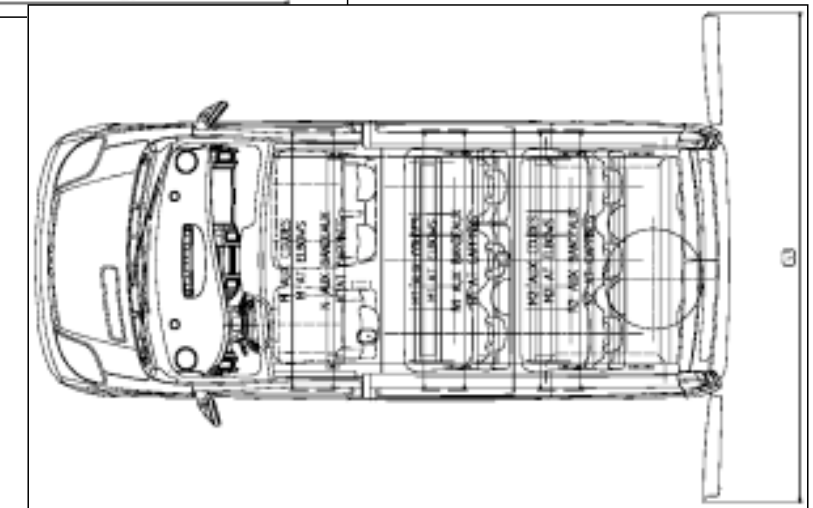
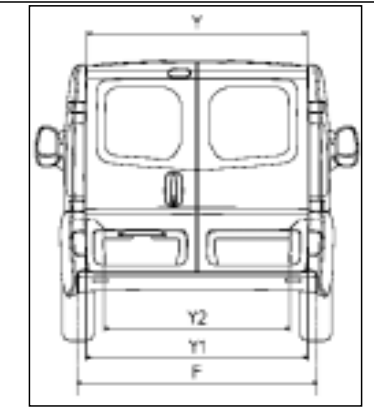
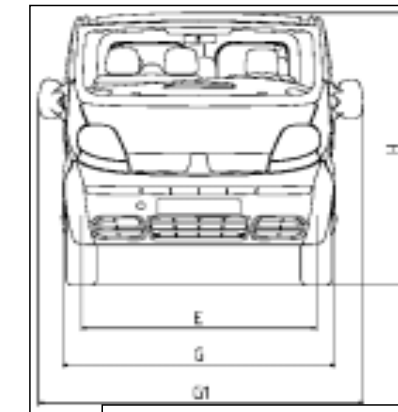
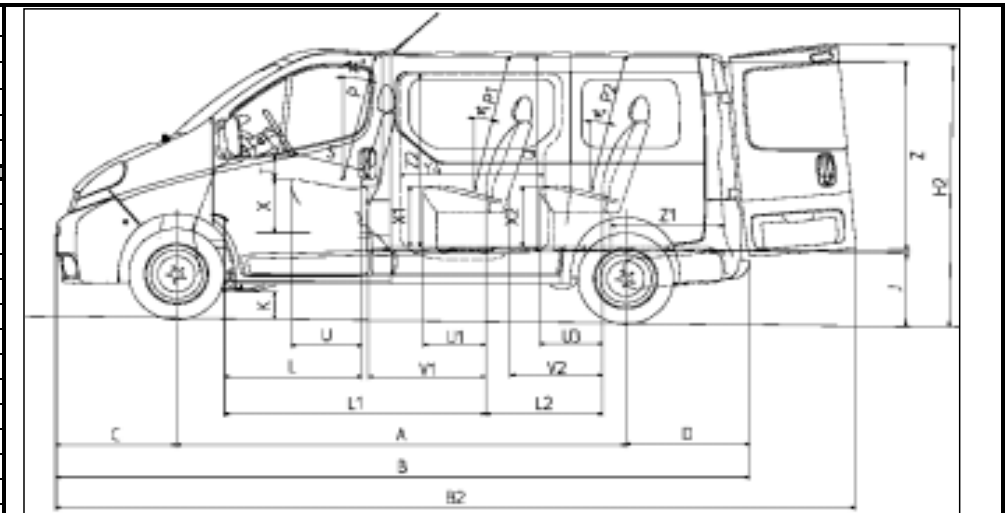


Passenger Estate version range 6-per

Updated

		Passenger Estate 6-seats									
		H1 / L1			H1 / L1			H1 / L2			
		1000			1200			1200			
		2,19 / 1860			2,81 / 2431						
Load volume ( m <sup>3</sup> / measured with ISO 1 dn <sup>3</sup> blocks)											
Engine		F4R 820	M9R 780	G9U 630	F4R 820	M9R 780	G9U 630	F4R 820	F9Q 760	M9R 780	G9U 630
<b>Remarks:</b>											
A	Wheelbase	3098			3098			3498			
B	Vehicle overall length	4782			4782			5182			
B2	Vehicle overall length with back door opened	5503			5503			5903			
C	Front overhang	833			833			833			
D	Rear overhang	851			851			851			
E	Front wheel track	1615			1615			1615			
F	Rear wheel track	1630			1630			1630			
G	Vehicle overall width	1904			1904			1904			
G1	Vehicle overall width with mirrors	2232			2232			2232			
G3	Vehicle overall width with back door opened	3328			3328			3328			
H	Vehicle overall height (empty / loaded)	1944 / 1912	1956 / 1925	1960 / 1929	1953 / 1920	1956 / 1924	1960 / 1927	1954 / 1918		1958 / 1921	
H2	Loading threshold height (empty)	2020 / 1959	2028 / 1968	2034 / 1972	2028 / 1963	2026 / 1959	2034 / 1963	2024 / 1962		2033 / 1976	
J	Side sill height (empty)	532	541	546	540			546	538	545	
K	Clearance	175 / 150	178 / 158	183 / 164	183 / 157	180 / 161	183 / 164	185 / 155	178 / 153		
L	Distance from accelerator pedal / to drivers' back rest	946			946			946			
L1	Distance from accelerator pedal / to 2.seat row back rests	1805			1805			1805			
L2	Distance from accelerator pedal / to 3.seat row back rests										
M	Internal width at door armrests height	1757			1757			1757			
M1	Internal width at 2 seat row armrests	1606			1606			1606			
M2	Internal width at 3 seat row armrests										
N	Internal width over door armrests	1757			1757			1757			
N1	Internal width over 2 seat row armrests	1834			1834			1834			
N2	Internal width over 3 seat row armrests	1837			1837			1837			
P	Height from the I row seat to the roof measured at 14° angle(in feet axis),drive seat and single passenger seat	924			924			924			
P	Height from the I row seat to the roof measured at 14° angle(in feet axis), double passenger seat-middle seat	932			932			932			
P	Height from the I row seat to the roof measured at 14° angle(in feet axis), double passenger seat	919			919			919			
P1	Height from the II row seat to the roof measured at 14° angle(in feet axis) -middle seat	966			966			966			
P1	Height from the II row seat to the roof measured at 14° angle(in feet axis) - peripheral seat	931			931			931			
P2	Height from the III row seat to the roof measured at 14° angle (in feet axis) – middle seat										
P2	Height from the III row seat to the roof measured at 14° angle (in feet axis) – peripheral seats										
Q	Interior height (Y0)	1369			1369			1369			
S	Distance from steering wheel to drivers' back rest	501			501			501			
T	Distance from steering wheel to drivers' seat	175			175			175			
U	Drivers' seat depth	483			483			483			
U1	Seat depth in the II row	431			431			431			
U2	Seat depth in the III row										
V1	Without II seat row	810			810			810			
V2	Without II seat row										
Y	Back door width in upper part (70 mm from the edge)	1370			1370			1370			
Y1	Back door width in lower part (70 mm from the floor)	1390			1390			1390			
Y2	Interior width between body-fixing plates	1234			1234			1234			
Y3	Maximum interior width	1678			1678			1678			
Y4	Sliding side-door hole width	1000			1000			1000			
Z	Back door hole height (Y0)	1306			1306			1306			
Z1	Loading space length (Y0) (measured by floor/ 1 m high from the floor / on upper seat back rest height)	1548 / - / 1253			1548 / - / 1253			1948 / - / 1653			
Z2	Sliding side-door hole height	1285			1285			1285			

Dimensions (in mm)



Generation	Generation ( 7-seats)		
Roof height / wheelbase	H1 / L1		
Capacity class (kg)	1000		
Load volume ( m <sup>3</sup> / measured with ISO 1 dm <sup>3</sup> blocks)	0,51 / 406		
Engine	F4R 820	M9R 780	G9U 630
Remarks:			
A Wheelbase	3098		
B Vehicle overall length	4782		
B2 Vehicle overall length with back door opened	5925		
C Front overhang	833		
D Rear overhang	851		
E Front wheel track	1615		
F Rear wheel track	1630		
G Vehicle overall width	1904		
G1 Vehicle overall width with mirrors	2232		
G3 Vehicle overall width with back door opened	1948 / 1918	1952 / 1922	
H Vehicle overall height (empty / loaded)	530 / 537		
H2 Loading threshold height (empty)	182 / 164	177 / 165	
J Side sill height (empty)	946		
K Clearance	1839		
L Distance from accelerator pedal / to drivers' back rest	2711		
L1 Distance from accelerator pedal / to 2.seat row back rests	1549		
L2 Distance from accelerator pedal / to 3.seat row back rests	1543		
M Internal width at door armrests height	1477		
M1 Internal width at 2 seat row armrests	1757		
M2 Internal width at 3 seat row armrests	1834		
N Internal width over door armrests	1833		
N1 Internal width over 2 seat row armrests	921		
N2 Internal width over 3 seat row armrests	955		
P Height from the I row seat to the roof measured at 14° angle(in feet axis),drive seat and single passenger seat	947		
P Height from the I row seat to the roof measured at 14° angle(in feet axis), double passenger seat-middle seat	942		
P Height from the I row seat to the roof measured at 14° angle(in feet axis), double passenger seat	944		
P1 Height from the II row seat to the roof measured at 14° angle(in feet axis) -middle seat	1299		
P1 Height from the II row seat to the roof measured at 14° angle(in feet axis) - peripheral seat	475		
P2 Height from the III row seat to the roof measured at 14° angle (in feet axis) – middle seat	164		
P2 Height from the III row seat to the roof measured at 14° angle (in feet axis) – peripheral seats	445		
Q Interior height (Y0 )	450		
S Distance from steering wheel to drivers' back rest	450		
T Distance from steering wheel to drivers' seat	772		
U Drivers' seat depth	586		
U1 Seat depth in the II row	1370		
U2 Seat depth in the III row	1390		
V1 Without II seat row	1228		
V2 Without II seat row	1547		
Y Back door width in upper part (70 mm from the edge)	1000		
Y1 Back door width in lower part (70 mm from the floor)	1306		
Y2 Interior width between body-fixing plates	631 / - / 344		
Y3 Maximum interior width	1285		

Dimensions (in mm)

