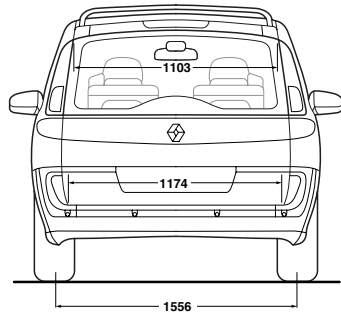
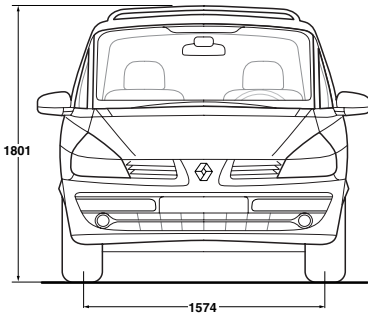
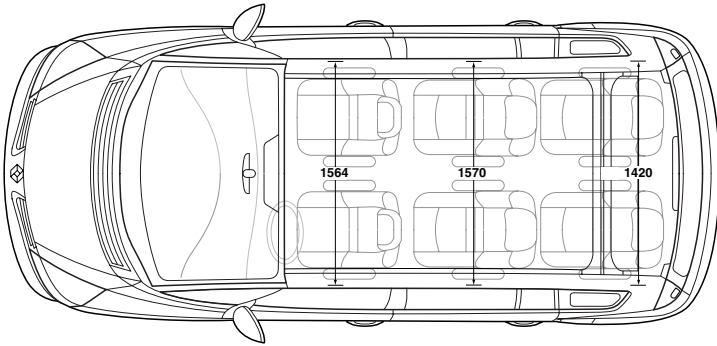
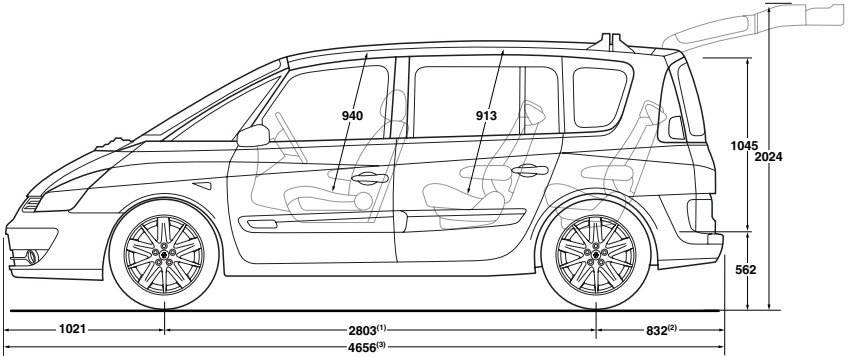


# DIMENSIONS\*



\* Dimensions on drawings are given for Espace, for Grand Espace dimensions are: (1) 2868; (2) 967; (3) 4856.